

MODEL: SOUND BARS**No. E58409849****Subject: Link LED of the Subwoofer becomes the red,
and the sound does not output from
Subwoofer.****Date:** Feb. 16.
2017**Symptom:**

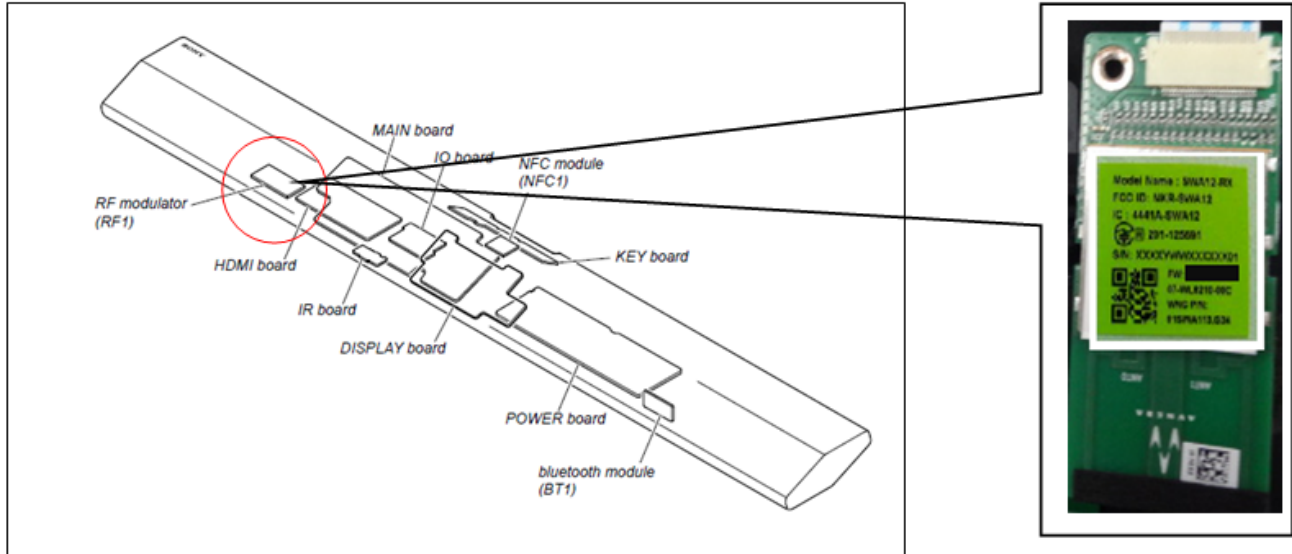
1. The following cases, Subwoofer may not output sound.
 - A place having much interference of the 2.4GHz band uses a sound bar.
 - Bar speaker and the link of the Subwoofer is disconnected and Link LED of the Subwoofer becomes the red.
 - Even if time passes, LINK do not return normally.
2. When use plural models at the same time, different pairs may do LINK.

Applicable S/N:

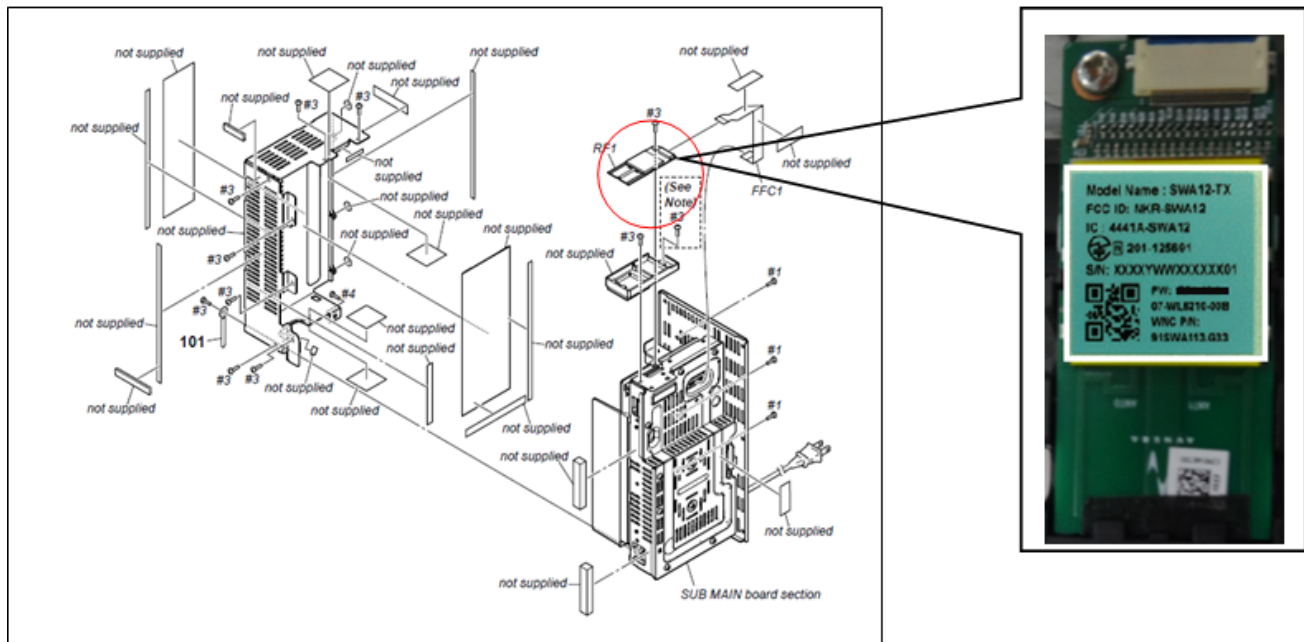
| Model (System model) | Destination | Serial number | | |
|----------------------|-------------|---------------|---|---------|
| SA-CT660(HT-CT660) | ALL | ALL | | |
| SA-WCT660(HT-CT660) | ALL | ALL | | |
| SA-CT370(HT-CT370) | ALL | ALL | | |
| SA-WCT370(HT-CT370) | ALL | ALL | | |
| SA-CT770(HT-CT770) | ALL | ALL | | |
| SA-WCT770(HT-CT770) | ALL | ALL | | |
| SA-CT780(HT-CT780) | ALL | ALL | | |
| SA-WCT780(HT-CT780) | ALL | ALL | | |
| SA-NT5(HT-NT5) | UC2 | 8800001 | ~ | 8867833 |
| SA-WNT5(HT-NT5) | UC2 | 8800001 | ~ | 8867833 |
| SA-CT380(HT-CT380) | UC2 | ALL | | |
| SA-WCT380(HT-CT380) | UC2 | ALL | | |
| SA-CT790(HT-CT790) | UC2 | 8800001 | ~ | 8870128 |
| SA-WCT790(HT-CT790) | UC2 | 8800001 | ~ | 8870128 |

Solution:

1. Replace RF MODULATOR (SWA12-4V TX) (1-492-347-21). (The chart below is SA-CT370.)

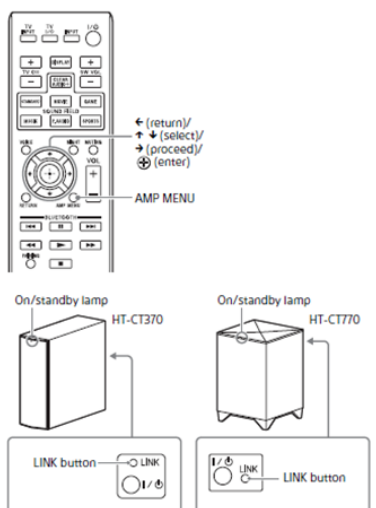


2. Replace RF MODULATOR (SWA12-4V RX) (1-492-348-21). (The chart below is SA-WCT370.)



3. Perform linking between Bar Speaker and Subwoofer.
 (The chart below is SA-CT370 (SA-CT370) and SA-WCT370 (SA-WST370).)

Linking the system (LINK)



Set up the wireless subwoofer connection again.

- 1 Press the AMP MENU button on the remote control.
- 2 Select "WS" with the ↑ (select) button then press the ⏏ (enter) or → (proceed) button.
- 3 Select "LINK" with the ↑ (select) button then press the ⏏ (enter) or → (proceed) button.
- 4 When "START" appears on the display of the Bar Speaker, press the ⏏ (enter) button.
 "SEARCH" appears, and the Bar Speaker searches for equipment that can be used with Link. Proceed to the next step within 1 minute.
 To quit the Link function during a search for equipment, press the ← (return) button.
- 5 Press the LINK button on the subwoofer with the point of a pen, etc.
 The on/standby lamp on the subwoofer lights in green. "OK" appears on the display of the Bar Speaker.
 If "FAILED" appears, check to ensure the subwoofer is turned on and perform the process again from step 1.
- 6 Press the AMP MENU button.
 The amplifier menu turns off.

Parts:

| Former | | New | |
|----------------------------|--------------|----------------------------|--------------|
| Description | Part No. | Description | Part No. |
| RF MODULATOR (SWA12-4V TX) | 1-492-347-12 | RF MODULATOR (SWA12-4V TX) | 1-492-347-21 |
| RF MODULATOR (SWA12-4V RX) | 1-492-348-13 | RF MODULATOR (SWA12-4V RX) | 1-492-348-21 |

Note: The old part isn't compatible to new part, so please replace new part at the same time.
 When you use new part and old part pairwise, you cannot link normally.

The difference of the Old version and the new version.
 The colors of the label of RF MODULATOR are different.



RF MODULATOR (SWA12-4V TX)
 RF MODULATOR of the Bar Speaker

Color of the label Old version (1-492-347-12) **White**
 New version (1-492-347-21) **Green**



RF MODULATOR (SWA12-4V RX)
 RF MODULATOR of the Subwoofer

Color of the label Old version (1-492-348-13) **Yellow**
 New version (1-492-348-21) **Blue**